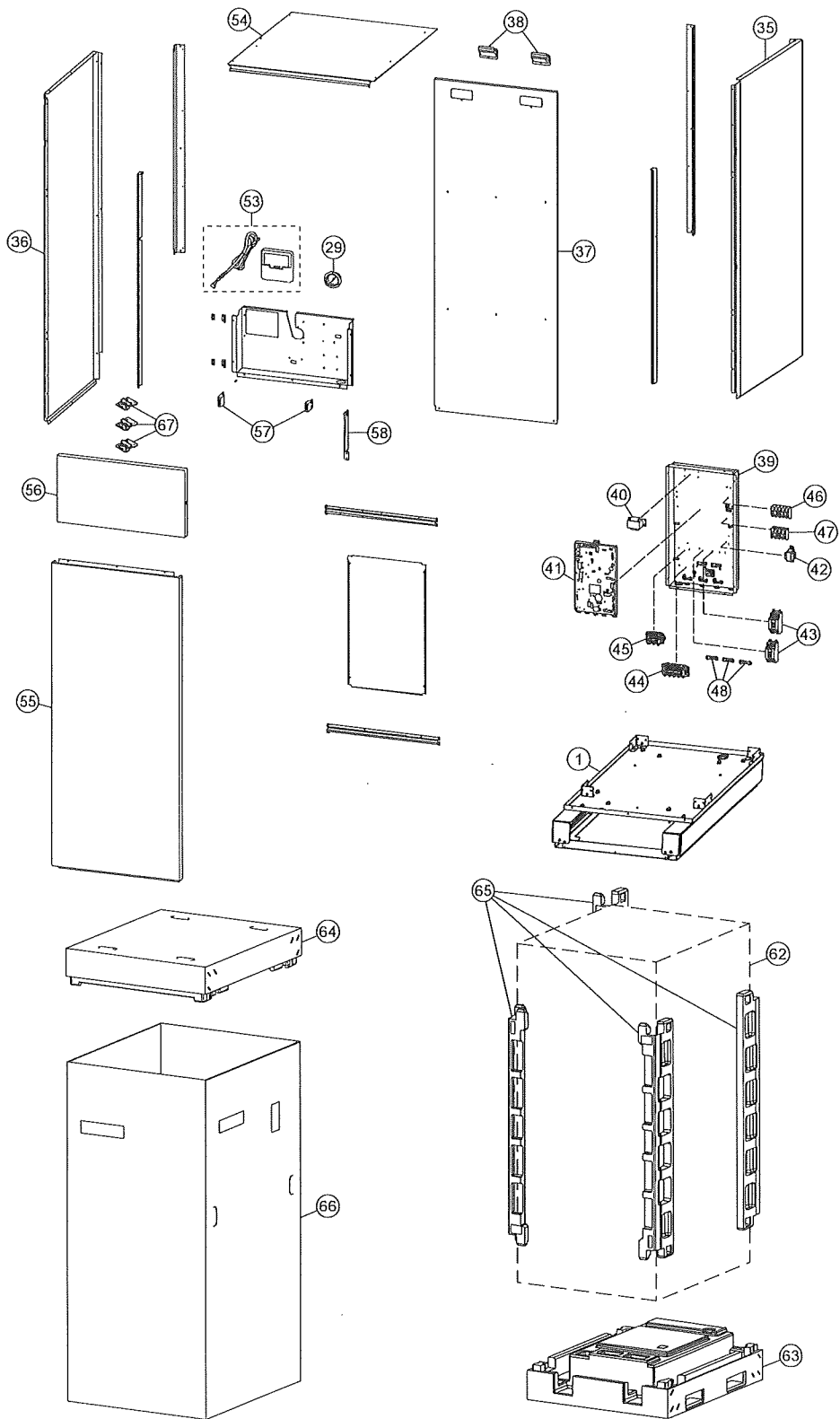


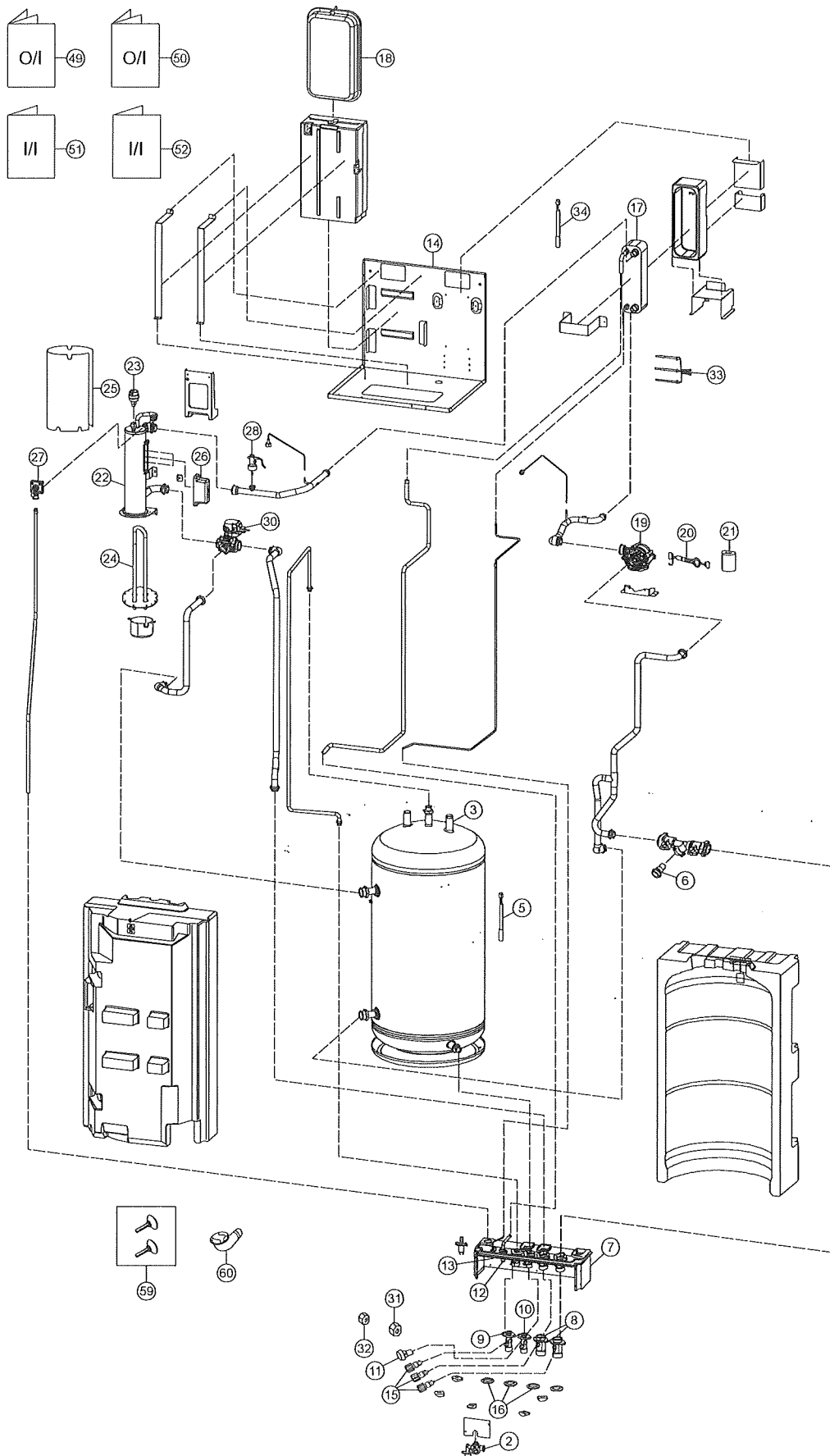
19. Exploded View and Replacement Parts List

19.1 Indoor Unit



Note:

- The above exploded view is for the purpose of parts disassembly and replacement.
- The non-numbered parts are not kept as standard service parts.



Note:

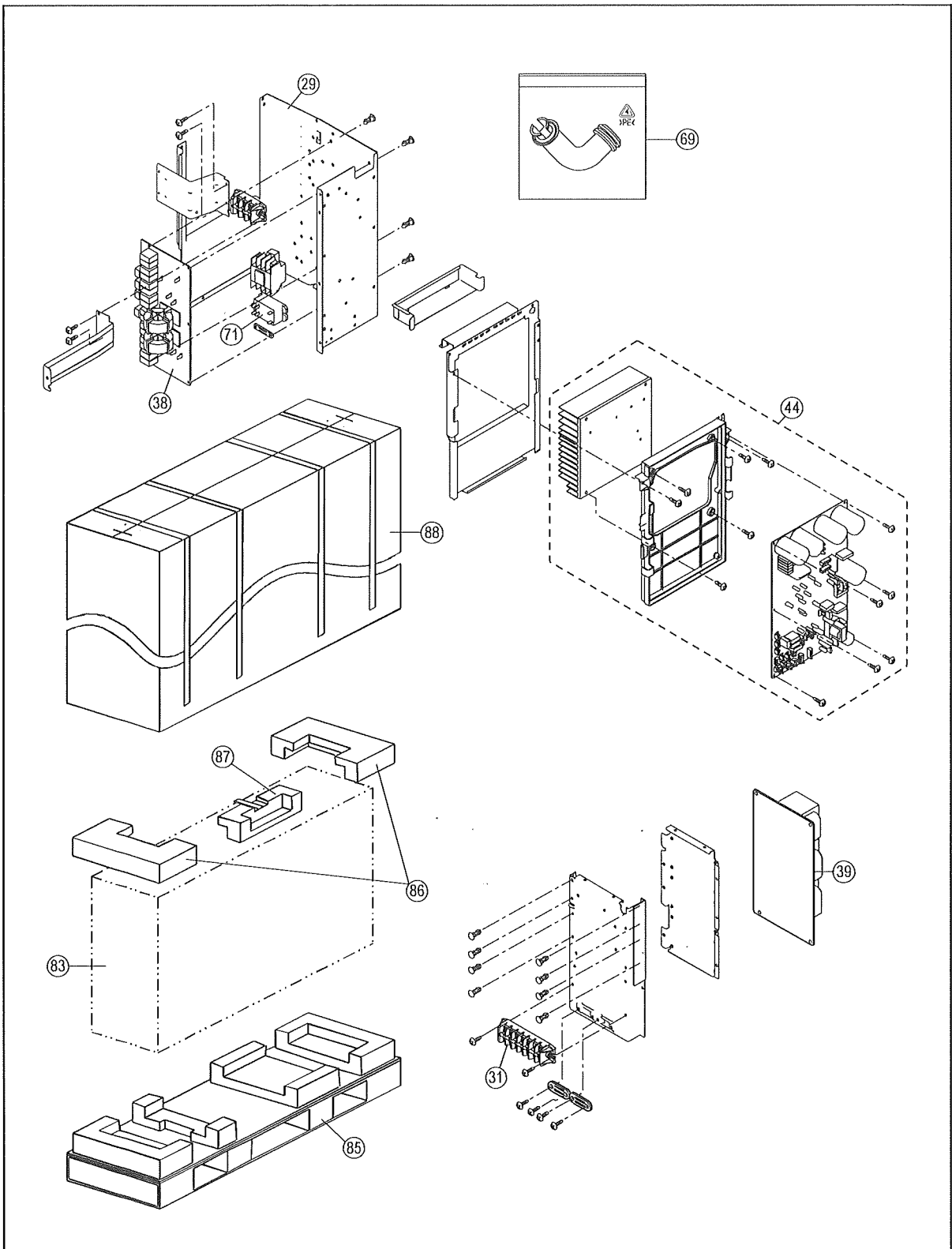
- The above exploded view is for the purpose of parts disassembly and replacement.
- The non-numbered parts are not kept as standard service parts.

SAFETY	REF. NO.	DESCRIPTION	QTY.	WH-ADC1216G6E5	REMARK
	1	CHASSIS COMPLETE	1	CWD50C1855	
	2	DRAIN VALVE	1	CWB65C1025	O
	3	ANODE BAR	1	56200	*
	5	SENSOR CO. (TANK TEMP CN-TH2)	1	CWA50C3257	O
	6	FILTER COMPLETE	1	CWB51C1021	O
	7	HOLDER-COUPLING	1	CWH351306	
	8	TUBE CONNECTER (WATER IN OUT)	2	CWT291196	
	9	TUBE CONNECTER (DOMESTIC HOT WATER IN OUT)	1	CWT291197	
	10	TUBE CONNECTER (DOMESTIC HOT WATER IN)	1	CWT291203	
	11	PRESSURE RELIEF VALVE (TUBE CON. DOMESTIC HOT WATER IN)	1	CWB62C1198	O
	12	TUBE CONNECTER (REF. GAS)	1	CWT291199	
	13	TUBE CONNECTER (REF. LIQUID)	1	CWT291205	
	14	BASE PAN (HEATER)	1	CWD521419	
	15	PURGE PLUG	3	CWB821027	
	16	O-RING (PURGE PLUG)	3	CWB811190	
	17	HOT WATER COIL-COMPLETE	1	CWB90C1139	
	18	RECEIVER	1	CWB141073	
⚠	19	WATER PUMP	1	CWB532116	O H19281
	20	LEAD WIRE FOR WATER PUMP	1	CWA68C1394	O
	21	FERRITE CORE	1	CWA431122	O
	22	BOTTLE COMPLETE	1	CWH90C0052	
	23	AIR PURGE VALVE	1	CWB621094	O
	24	HEATER ASS'Y	1	CWA34K1048	
	25	SOUND PROOF MATERIAL	1	CWG302906	
	26	THERMOSTAT	3	CWA151074	O
	27	PRESSURE RELIEF VALVE	1	CWB621092	H21A31
	28	FLOW SWITCH	1	CWB621128	O
	29	PRESSURE GAUGE	1	CWB070001	
	30	3 WAY VALVE (WATER)	1	CWB621134	
	31	FLARE NUT (5/8)	1	CWT251064	
	32	FLARE NUT (1/4)	1	CWT251063	
	33	SENSOR-CO. (WATER IN OUT, REF TEMP SENSOR CN-TH1)	1	CWA50C3259	O H22680
	34	SENSOR-CO. (HEX WATER OUTLET TEMP CN-TH3)	1	CWA50C3260	O H22681
	35	CABINET SIDE PLATE (R)	1	CWE041824A	
	36	CABINET SIDE PLATE (L)	1	CWE041825A	
	37	CABINET REAR PLATE	1	CWE021129	
	38	HANDLE	2	CWE161014	
	39	CONTROL BOARD	1	CWH102622	
	40	TRANSFORMER COMPLETE	1	CWA40C1096	O
⚠	41	ELECTRONIC CONTROLLER-MAIN	1	CWA73C8693	O H22690
⚠	42	REACTOR	1	G0C103Z00003	O H22685
⚠	43	RESIDUALCURRENT-CIRCUIT BREAKER	2	K5KYAY00003	O
⚠	44	TERMINAL BOARD ASSY (1, 2, 3)	1	CWA28K1217	O
⚠	45	TERMINAL BOARD ASSY (A, B)	1	CWA28K1238	O
⚠	46	TERMINAL BOARD ASSY (1, 2, 3, 4, 5)	1	CWA28K1328	O
⚠	47	TERMINAL BOARD ASSY (6, 7, 8, 9)	1	CWA28K1329	O
	48	HOLDER-P.S. CORD	3	CWH31103	
	49	OPERATING INSTRUCTION	1	CWF569846	

SAFETY	REF. NO.	DESCRIPTION	QTY.	WH-ADC1216G6E5	REMARK
	50	OPERATING INSTRUCTION	1	CWF569864	
	51	INSTALLATION INSTRUCTION	1	CWF616652	
	52	INSTALLATION INSTRUCTION	1	CWF616651	
	53	REMOTE CONTROL COMPLETE	1	CWA75C4522	O
	54	CABINET TOP PLATE	1	CWE031220	
	55	CABINET FRONT PLATE	1	CWE061380A	
	56	CABINET FRONT PLATE ASS'Y	1	CWE06K1114A	
	57	MAGNET CATCHER	2	CWH601009	
	58	LEVER ARM	1	CWH651115	
	59	ACCESSORY-ADJUSTABLE FEET	1	CWH82C2112	
	60	ACCESSORY CO. (DRAIN ELBOW)	1	CWG87C900	110768
	62	BAG	1	CWG861544	
	63	BASE BOARD-CO. (BOTTOM)	1	CWG62C1201	
	64	BASE BOARD-CO. (UPPER)	1	CWG60C1058	
	65	SHOCK ABSORBER	4	CWG713134	
	66	C.C. CASE	1	CWG580594	
	67	HINGE	3	CWH611005	

Note:

- All parts are supplied from PAPAMY, Malaysia (Vendor Code: 00029488) except (*).
- "O" marked parts are recommended to be kept in stock.
- (*) supplied by PCSE (Hamburg).



Note:

- The above exploded view is for the purpose of parts disassembly and replacement.
- The non-numbered parts are not kept as standard service parts.

<WH-UX09FE5 WH-UX12FE5>

SAFETY	REF. NO.	DESCRIPTION & NAME	QTY.	WH-UX09FE5	WH-UX12FE5	REMARK
	1	BASE PAN ASS'Y	1	CWD52K1275	←	
⚠	2	COMPRESSOR	1	5JD420XAA22	←	O - H21249
	3	BUSHING - COMPRESSOR MOUNT	3	CWH50055	←	
	4	NUT - COMPRESSOR MOUNT	3	CWH561049	←	
	4A	GASKET FOR TERMINAL COVER	3	CWB811017	←	
	5	CRANKCASE HEATER	1	CWA341053	←	- H22688
	6	CONDENSER COMPLETE	1	CWB32C3986	←	
	7	HIGH PRESSURE SENSOR	1	CWA501463	←	O - H22686
	8	DISCHARGE MUFFLER	1	CWB121014	←	
	9	PRESSURE SWITCH	1	CWA101007	←	O
	10	3-WAYS VALVE (GAS)	1	CWB011251	←	
	11	4-WAYS VALVE	1	CWB001046	←	
	12	3-WAYS VALVE	1	CWB011292	←	
	13	STRAINER	2	CWB111032	←	
	14	STRAINER	1	CWB111032	←	
	15	TERMINAL COVER	1	CWH171039A	←	
	16	NUT - TERMINAL COVER	1	CWH7080300J	←	
	19	ACCUMULATOR	1	CWB131026A	←	
	20	SOUND PROOF MATERIAL	1	CWG302265	←	
	21	SOUND PROOF MATERIAL	1	CWG302266	←	
	22	SOUND PROOF BOARD	1	CWH15K1019	←	
⚠	23	V-COIL COMPLETE (4 WAY VALVE)	1	CWA43C2169J	←	O
⚠	24	V-COIL COMPLETE (MAIN EXPANSION VALVE)	1	CWA43C2602	←	O
	25	SENSOR - COMP. (OUTLET AIR TEMP SENSOR)	1	CWA50C2730	←	O - H16838
	26	SENSOR - COMP. (DISCHARGE TEMP SENSOR)	1	CWA50C2576	←	O - H22689
	27	SENSOR - COMPLETE (COMP TEMP SENSOR)	1	CWA50C2629	←	O - H17531
	27A	SENSOR - COMP. (DEFROST TEMP SENSOR)	1	CWA50C2577	←	O
	28	CABINET REAR PLATE - COMPLETE	1	CWE02C1064	←	- H15143
	29	CONTROL BOARD CASING	1	CWH10K1049	←	
⚠	31	TERMINAL BOARD ASS'Y	1	CWA28K1213	←	O
⚠	38	ELECTRONIC CONTROLLER - (NF)	1	CWA747852	←	O
⚠	39	ELECTRONIC CONTROLLER - (CAPACITOR)	1	CWA747853	←	O
⚠	44	ELECTRONIC CONTROLLER - (MAIN)	1	CWA73C8131R	CWA73C8152R	O
⚠	46	REACTOR	1	G0C592J00006	←	O - H21586
⚠	50	FAN MOTOR BRACKET	1	CWD54K1024	←	
	50A	SCREW - FAN MOTOR BRACKET	8	CWH551040J	←	
	53	FAN MOTOR (UPPER)	1	EHDS83CAC	←	O - H21451
	54	FAN MOTOR (LOWER)	1	EHDS83DAC	←	O
	54A	SCREW - FAN MOTOR MOUNT	8	CWH551323	←	
	55	PROPELLER FAN ASSY	2	CWH00K1006	←	
	56	NUT	2	CWH561092	←	
	57	CABINET FRONT PLATE	1	CWE061098A	←	- H20811
	58	DISCHARGE GRILLE	2	CWE201073	←	- H13175
	59	CABINET SIDE PLATE ASSY	1	CWE04K1023A	←	- H20812
	60	WIRE NET	1	CWD041103A	←	
	61	CABINET TOP PLATE CO.	1	CWE03C1096	←	
	62	HANDLE	2	CWE161008	←	
	64	PIPE COVER (FRONT)	1	CWD601074A	←	
	65	PIPE COVER (BACK)	1	CWD601075A	←	
	66	CABINET FRONT PLATE CO.	1	CWE06C1091	←	- H15142
	68	TUBE ASSY (CAP. TUBE)	1	CWT07K1541	←	

SAFETY	REF. NO.	DESCRIPTION & NAME	QTY.	WH-UX09FE5	WH-UX12FE5	REMARK
	69	ACCESSORY CO. (DRAIN ELBOW)	1	CWG87C2030	←	
	70	EXPANSION VALVE (1)	1	CWB051049	←	O
	71	ELECTRO MAGNETIC SWITCH	1	K6C1AYY00003	←	O
⚠	73	V-COIL COMPLETE (CN-EV2)	1	CWA43C2335	←	O
	74	SENSOR - COMP. (BYPASS & EVA EXIT TEMP)	1	CWA50C3165	←	O
	75	EXPANSION VALVE (BYPASS)	1	CWB051029	←	O
	76	2-WAYS VALVE	1	CWB021637	←	
⚠	77	V-COIL COMPLETE (2 WAY VALVE)	1	CWA43C2607	←	O
	83	BAG	1	CWG861204	←	
	85	BASE BOARD - COMPLETE	1	CWG62C1086	←	
	86	SHOCK ABSORBER	2	CWG712852	←	
	87	SHOCK ABSORBER	1	CWG712854	←	
	88	C.C. CASE	1	CWG568054	←	

Note:

- All parts are supplied from PAPAMY, Malaysia (Vendor Code: 00029488).
- "O" marked parts are recommended to be kept in stock.