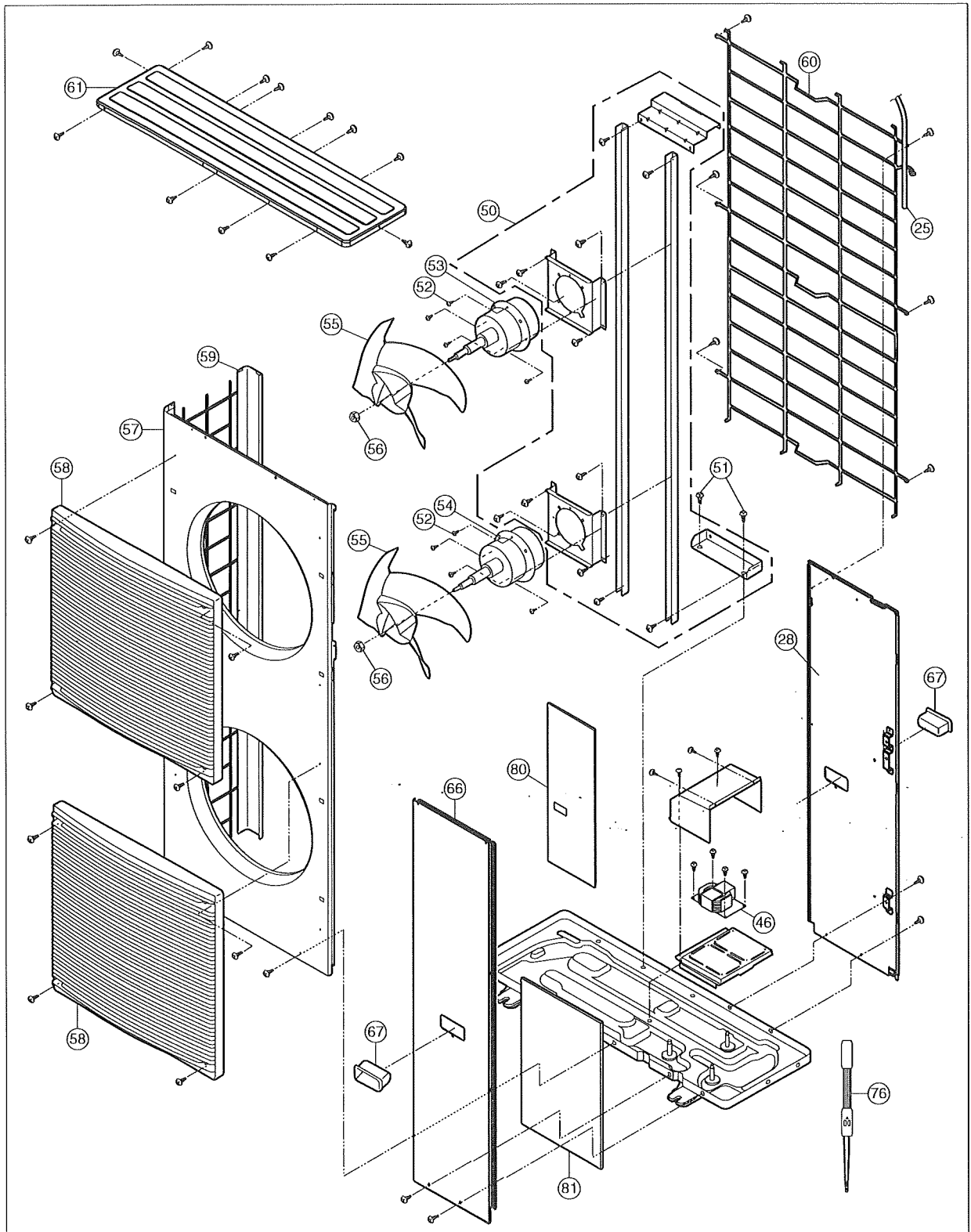
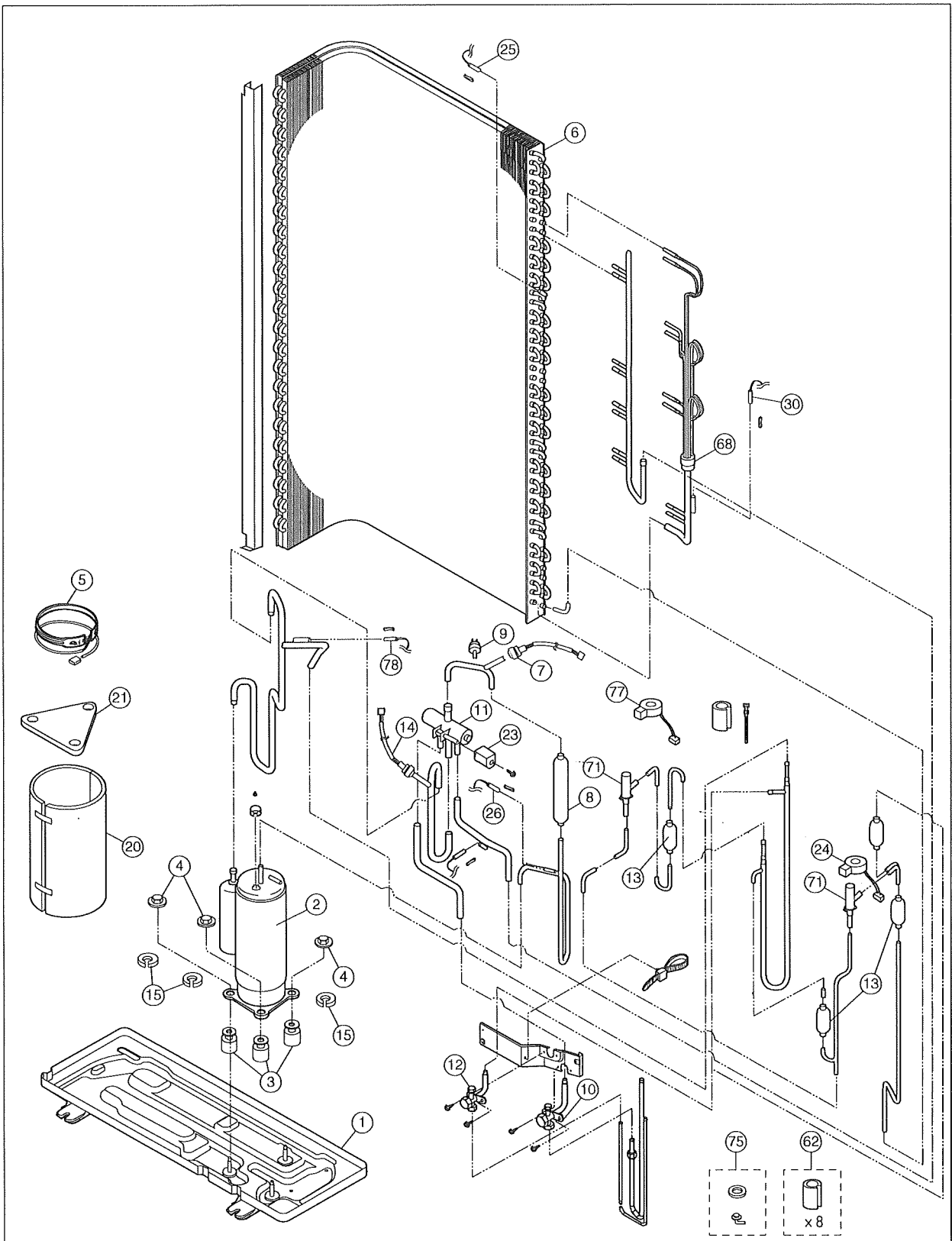
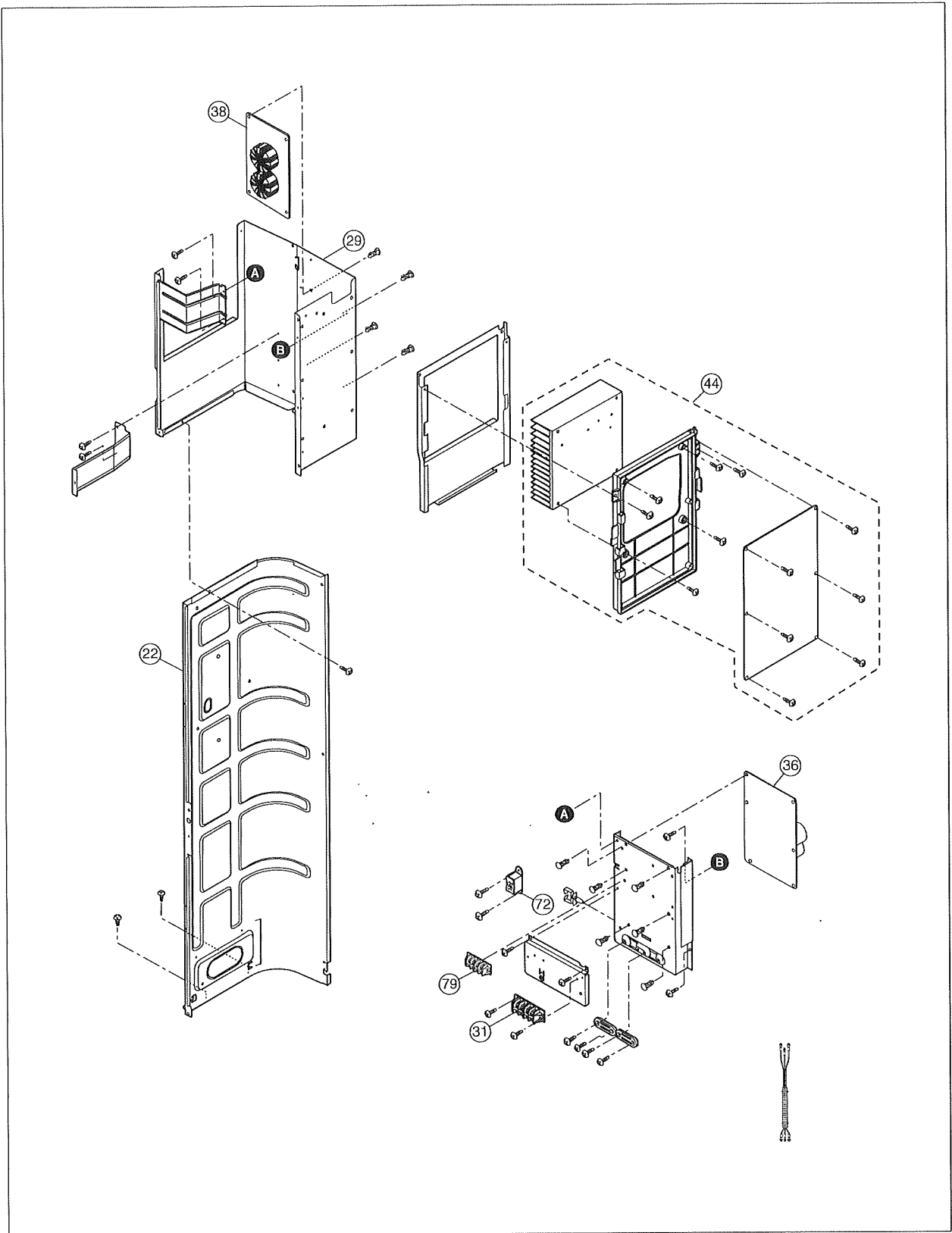


19. Exploded View and Replacement Parts List

19.1 (Refrigerant System)







Note:

- The above exploded view is for the purpose of parts disassembly and replacement.
- The non-numbered parts are not kept as standard service parts.

<Model: Refrigerant System>

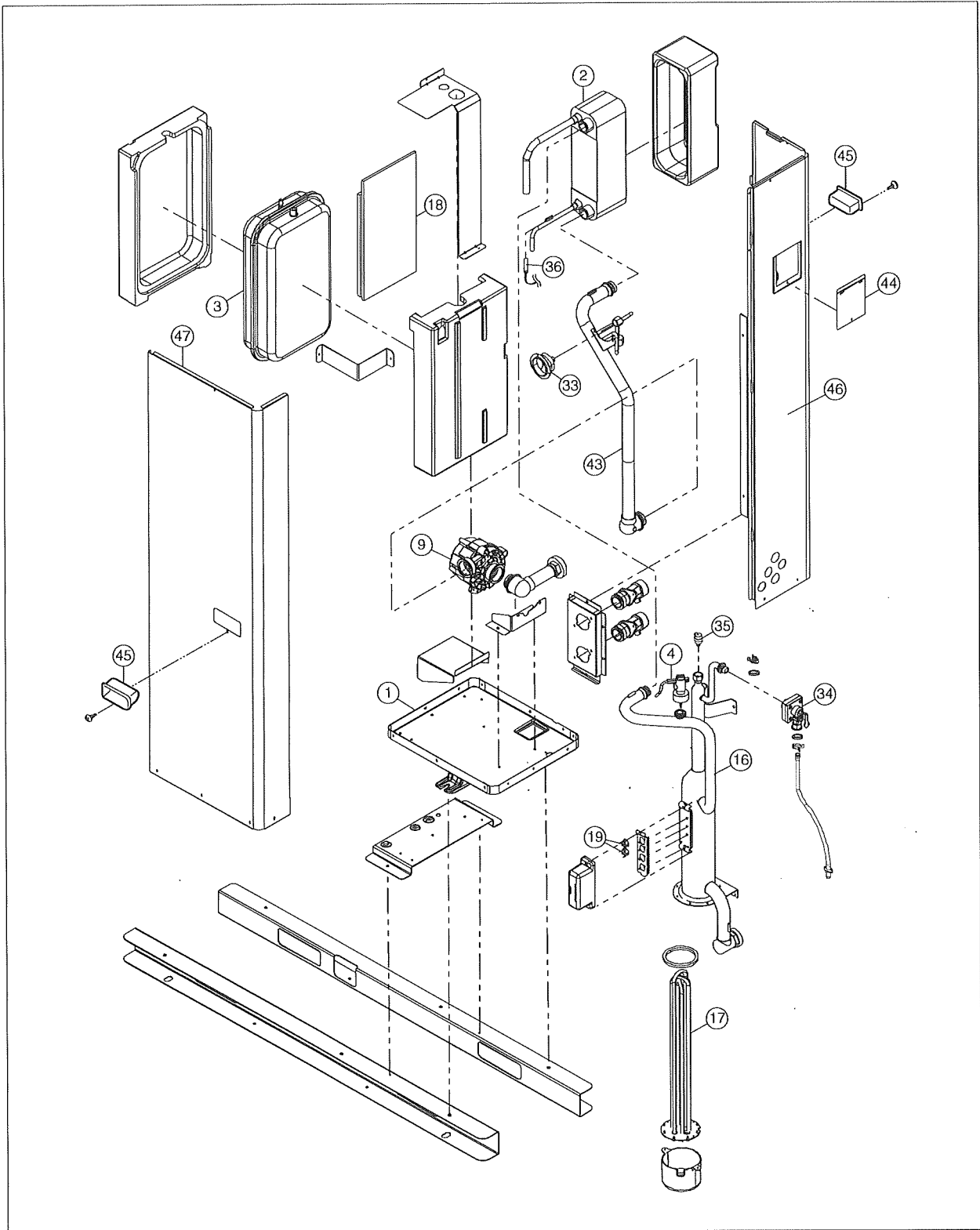
SAFETY	REF. NO.	DESCRIPTION & NAME	QTY.	WH-MHF09G3E5	WH-MHF12G6E5	REMARK
	1	BASE PAN ASS'Y (1)	1	CWD52K1276	←	
⚠	2	COMPRESSOR	1	4JD650XCA22	←	0
	3	BUSHING - COMPRESSOR MOUNT	3	CWH50055	←	
	4	NUT - COMPRESSOR MOUNT	3	CWH561049	←	
	5	CRANKCASE HEATER	1	CWA341053	←	H22688
	6	CONDENSER COMPLETE	1	CWB32C3987	←	
	7	HIGH PRESSURE SENSOR CN-HPS	1	CWA501463	←	0 H22686
	8	DISCHARGE MUFFLER	1	CWB121014	←	
	9	HIGH PRESSURE SWITCH CN-PSW1	1	CWA101013	←	H22684
	10	3-WAYS VALVE (GAS)	1	CWB011700	←	0
	11	4-WAYS VALVE	1	CWB001046	←	0
	12	3-WAYS VALVE (LIQUID)	1	CWB011699	←	0
	13	STRAINER	3	CWB111032	←	
	14	LOW PRESSURE SENSOR CN-LPS	1	CWA501543	←	0
	15	GASKET FOR TERMINAL COVER	3	CWB811017	←	
	20	SOUND PROOF MATERIAL	1	CWG302795	←	
	21	SOUND PROOF MATERIAL	1	CWG302266	←	
	22	SOUND PROOF BOARD	1	CWH151085	←	
⚠	23	V-COIL COMPLETE (4 WAY VALVE CN-HOT)	1	CWA43C2169J	←	0
⚠	24	V-COIL COMPLETE (MAIN EXPANSION VALVE CN-EV1)	1	CWA43C2478	←	0
	25	SENSOR - COMP. (OUTDOOR AIR, PIPE TEMP CN-TH1)	1	CWA50C2730	←	0 H16838
	26	SENSOR - COMP. (DISCHARGE TEMP CN-DIS)	1	CWA50C2576	←	0 H22689
	28	CABINET REAR PLATE - COMPLETE	1	CWE02K1019A	←	
	29	CONTROL BOARD CASING	1	CWH10K1049	←	
	30	SENSOR - COMP. (DEFROST TEMP CN-TH2)	1	CWA50C2577	←	0
⚠	31	TERMINAL BOARD ASS'Y (1,2,3)	1	CWA28K1213	←	0
⚠	36	ELECTRONIC CO. (CAPACITOR)	1	CWA747853	←	0
⚠	38	ELECTRONIC CO. (NOISE FILTER)	1	CWA747856	←	0
⚠	44	ELECTRONIC CONTROLLER (MAIN)	1	ACXA73C00010R	ACXA73C00020R	0
⚠	46	REACTOR	1	G0C592J00006	←	0 H21586
	50	FAN MOTOR BRACKET	1	CWD54K1084	←	
	51	SCREW - FAN MOTOR BRACKET	2	CWH551040J	←	
	52	SCREW - FAN MOTOR MOUNT	8	CWH551323	←	
⚠	53	FAN MOTOR (UPPER)	1	EHDS83LAC	←	0
⚠	54	FAN MOTOR (LOWER)	1	EHDS83MAC	←	0
	55	PROPELLER FAN ASSY	2	CWH00K1006	←	
	56	NUT	2	CWH561092	←	
	57	CABINET FRONT PLATE	1	CWE061098A	←	H20811
	58	DISCHARGE GRILLE	2	CWE201073	←	H13175
	59	CABINET SIDE PLATE ASSY	1	CWE04K1023A	←	H20812
	60	WIRE NET	1	CWD041103A	←	
	61	CABINET TOP PLATE	1	CWE03C1105	←	
	62	ACCESSORY CO. (RUBBER CAP)	1	CWH82C1839	←	
	66	CABINET FRONT PLATE	1	CWE061274A	←	
	67	HANDLE	2	CWE161014	←	
	68	TUBE ASSY (CAP.TUBE)	1	CWT07K1619	←	
	71	EXPANSION VALVE	2	CWB051029	←	
⚠	72	ELECTRO MAGNETIC SWITCH	1	K6C1AYY00003	←	0
	75	ACCESSORY CO. (DRAIN ELBOW)	1	CWG87C900	←	H10748
	76	CRANKCASE HEATER (BASE PAN)	1	CWA341071	←	
⚠	77	V-COIL COMPLETE (BYPASS EXPANSION VALVE CN-EV2)	1	CWA43C2335	←	0
	78	SENSOR - COMP. (BYPASS & EVA EXIT TEMP CN-TH3)	1	CWA50C3165	←	0

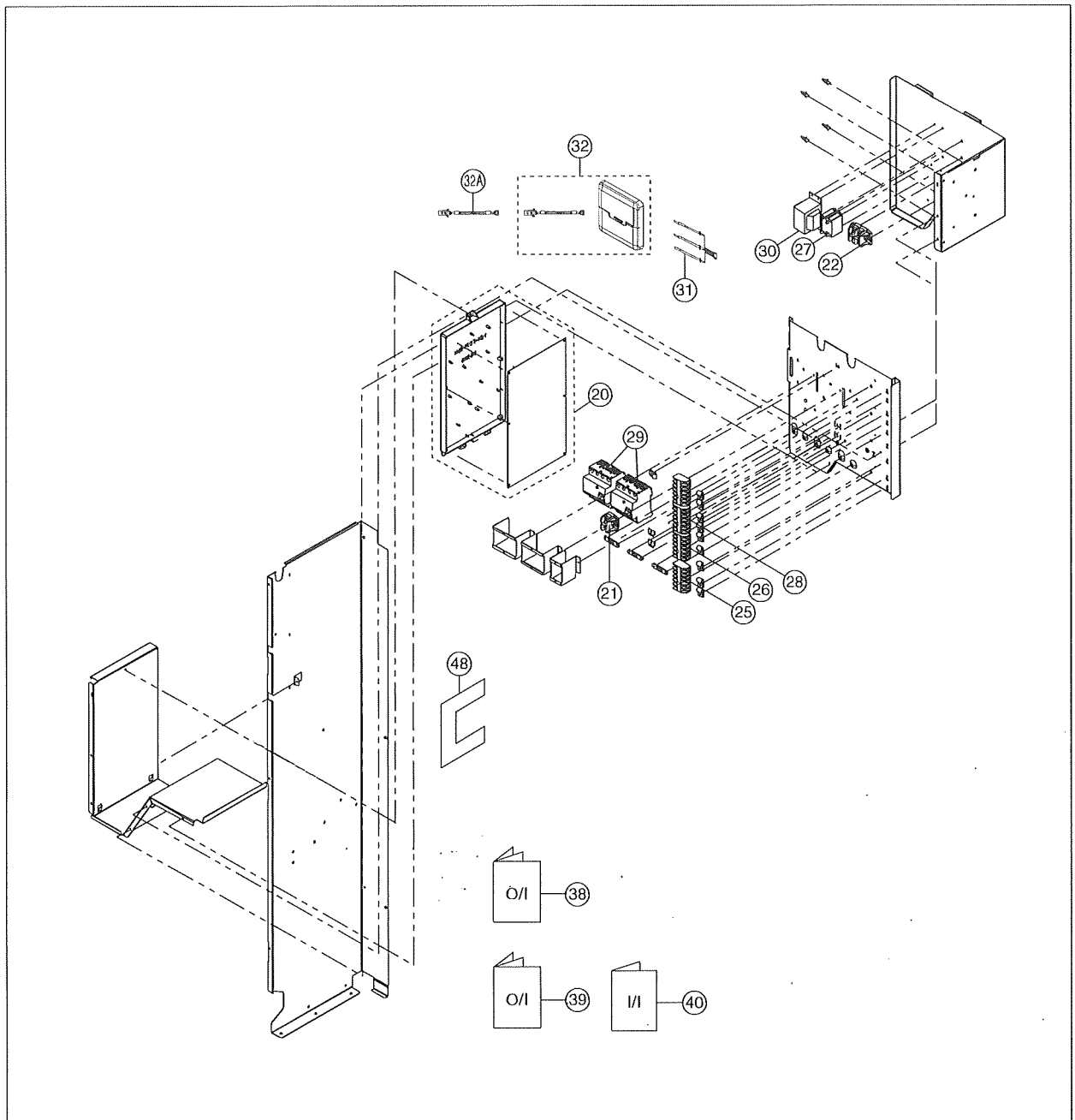
SAFETY	REF. NO.	DESCRIPTION & NAME	QTY.	WH-MHF09G3E5	WH-MHF12G6E5	REMARK
	79	TERMINAL BOARD ASS'Y (U, V, W, A)	1	CWA28K1334	←	O
	80	SOUND PROOF MATERIAL	1	CWG302598	←	O
	81	SOUND PROOF MATERIAL	1	CWG302599	←	

(Note)

- All parts are supplied from PAPAMY, Malaysia (Vendor Code: 00029488).
- "O" marked parts are recommended to be kept in stock.

19.2 (Water System)





Note:

- The above exploded view is for the purpose of parts disassembly and replacement.
- The non-numbered parts are not kept as standard service parts.

<Model: Water System>

SAFETY	REF. NO.	DESCRIPTION & NAME	QTY.	WH-MHF09G3E5	WH-MHF12G6E5	REMARK
	1	BASE PAN ASS'Y (2)	1	CWD52K1381	←	
	2	HOT WATER COIL - COMPLETE	1	CWB90C1138	←	O
	3	RECEIVER	1	CWB141073	←	
⚠	4	FLOW SWITCH CN-FLOW	1	CWB621128	←	O
	9	PUMP	1	CWB532116	←	O - H1922A
	16	BOTTLE COMP.	1	CWH90C0054	←	
	17	HEATER ASS'Y	1	CWA34K1046	CWA34K1048	
	18	SOUND PROOF MATERIAL	1	CWG302594	←	
	19	THERMOSTAT	2	CWA151074	←	O
⚠	20	ELECTRONIC CONTROLLER (MAIN)	1	ACXA73C00030	ACXA73C00040	O
⚠	21	TERMINAL BOARD ASS'Y (GROUNDING)	1	CWA28K1200	←	O
⚠	22	TERMINAL BOARD ASS'Y (A, B)	1	CWA28K1238	←	O
⚠	25	TERMINAL BOARD ASS'Y (1,2,3,4,5,6)	1	CWA28K1211	←	O
⚠	26	TERMINAL BOARD ASS'Y (7,8,9,10,11,12)	1	CWA28K1221	←	O
⚠	27	MAGNET RELAYS	1	G0C103Z00003	←	O - H21285
⚠	28	TERMINAL BOARD ASS'Y (13,14,15,16,17,18)	1	CWA28K1222	←	O
	29	CIRCUIT BREAKER	2	CWA181005	←	O
⚠	30	TRANSFORMER - COMPLETE	1	CWA40C1096	←	O
	31	SENSOR - COMP (WATER IN OUT, REF TEMP CN-TH1)	1	CWA50C2749	←	O
	32	REMOTE CONTROL COMPLETE WITH CABLE (15000 mm)	1	CWA75C4631	←	O
	32A	REMOTE CONTROL CABLE (450 mm)	1	CWA221090	←	
	33	PRESSURE GAUGE	1	CWB070001	←	O
	34	PRESSURE RELIEF VALVE	1	CWB621092	←	- H2113A
	35	AIR PURGE VALVE	1	CWB621094	←	
	36	SENSOR - COMP. (HEX WATER OUTLET CN-TH3)	1	CWA50C3258	←	O
	38	OPERATING INSTRUCTION	1	CWF569818	←	
	39	OPERATING INSTRUCTION	1	CWF569819	←	
	40	INSTALLATION INSTRUCTION	1	CWF616633	←	
	43	TUBE CONNECTOR - COMPLETE	1	CWT01C7150	←	
	44	CONTROL BOARD COVER	1	CWH131420A	←	
	45	HANDLE	2	CWE161014	←	
	46	CABINET SIDE PLATE ASS'Y	1	CWE04K1194A	←	
	47	CABINET FRONT PLATE	1	CWE061275A	←	
	48	SOUND PROOF MATERIAL	1	CWG302975	←	

(Note)

- All parts are supplied from PAPAMY, Malaysia (Vendor Code: 00029488).
- "O" marked parts are recommended to be kept in stock.