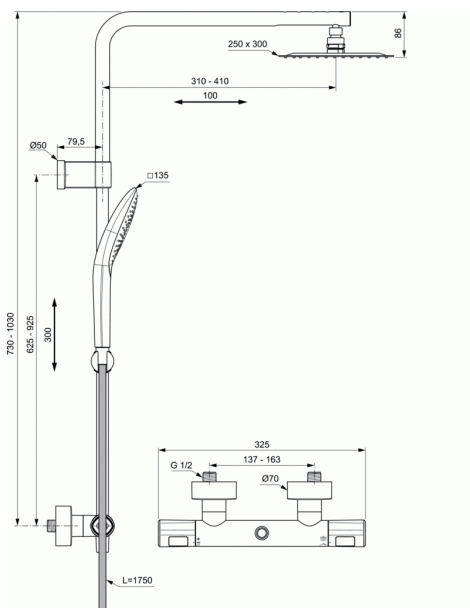


CERATHERM T100

Shower system with exposed thermostatic mixer



Shower system with exposed thermostatic mixer

Ceratherm T100 exposed shower thermostatic mixer
 Exposed model, standard S-connectors
 IS Thermostatic cartridge new technology
 Ceramic valve G1/2 180°
 Cool body technology
 Diamond metal handles with hot water at 40°C stop button and 50% water volume stop button
 Non return valve
 Shower head made of polished stainless steel 300x200mm, 12 l/min water flow limiter
 134mm 3F Idealrain Evo Jet Diamond handshower and 8l/min flow regulator
 Riser rail of two pieces with telescopic function
 Vertical pipe length adjustment (up to 300mm) possible during the product installation, then is fixed
 Horizontal pipe also with telescopic function (up to 100mm) during the product installation, then fixed
 1750mm Idealflex shower hose
 Comply with EN 1111

FINISHES*



* AA = Chrome

KEY FEATURES & BENEFITS

